

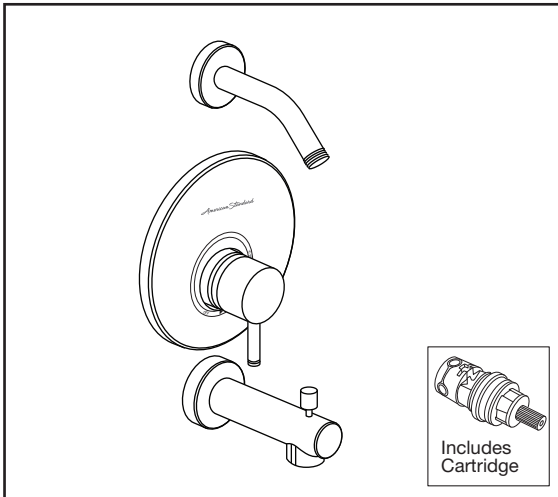
Pressure Balance Bath/Shower Trim with Double Ceramic Pressure Balance Cartridge

MODEL NUMBER:

TRIM KITS:

- ❑ TU064502WDXH Serin Bath/Shower Trim Kit with Pressure Balance Cartridge  
LESS Showerhead. Lever handle. LESS valve body.
- ❑ TU064501WDXH Serin Shower ONLY Trim Kit with Pressure Balance Cartridge  
LESS Showerhead. Lever handle. LESS valve body.

For use with Flash™ Rough Valve Bodies



TU064502WDXH Bath/Shower Trim Shown

GENERAL DESCRIPTION:

**Double Ceramic Pressure Balance Cartridge:** Features one-piece design with ceramic discs and ceramic balancing spool. Includes integrated check valves and hot limit safety stop. Cartridge is back to back capable. Ceramic balancing spool maintains constant output temperature in response to changes in relative hot and cold supply pressure. Washerless ceramic discs provide smooth handle movement and are unaffected by harsh water conditions.

**Trim:** Metal slip-on diverter spout. Metal wall valve trim with metal lever with RED/BLUE indicator ring.

PRODUCT FEATURES

**One-Piece Cartridge:** Simplifies installation and maintenance.

**Double Ceramic Pressure Balance Cartridge:** Combination of Ceramic Disc Mixing Valve and a Ceramic Balancing Spool in a one-piece cartridge.

**Ceramic Disc Mixing Valve:** Assures a lifetime of drip-free performance and smooth handle operation.

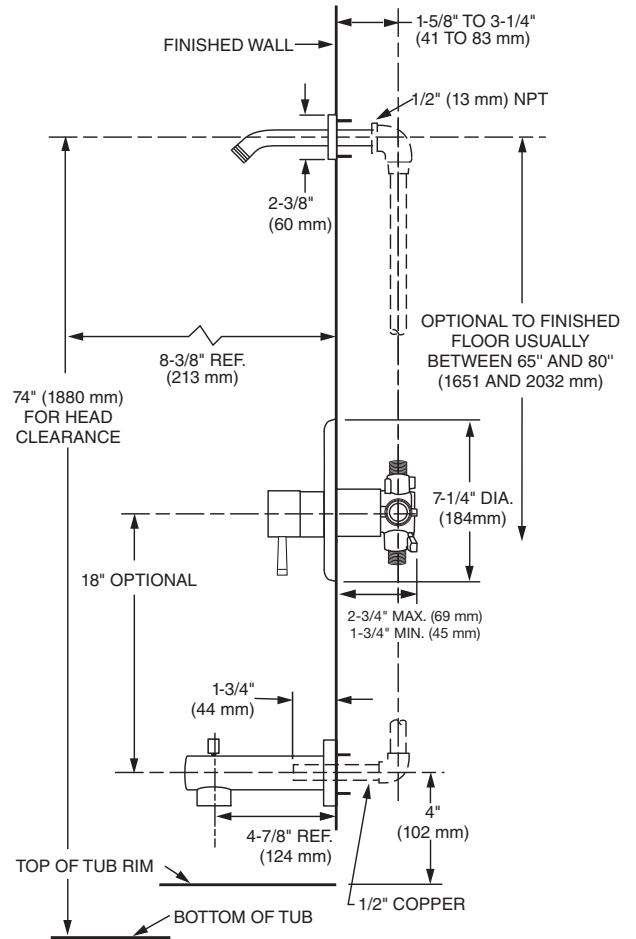
**Ceramic Balancing Spool:** Maintains a constant output temperature in response to changes in relative hot and cold supply pressure. Ceramic material is unaffected by mineral deposits and harsh water conditions.

**Integrated Check Valves:** Engineered to eliminate cross flow.

**Adjustable Hot Limit Safety Stop:** Limits the amount of hot water allowed to mix with cold. Reduces the risk of accidental scalding.

**Comfort Zone:** Offers a wider shower range to fine tune the desired temperature within the useful temperature zone.

**Back-to-Back Capability:** Hot and cold can be reversed quickly and easily.



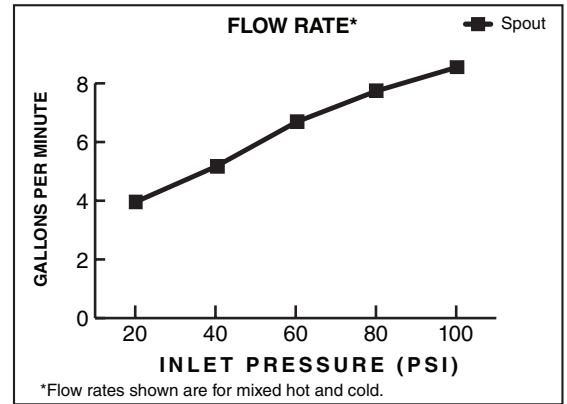
**SUGGESTED SPECIFICATION**  
 Bath/shower fitting shall feature double ceramic pressure balance cartridge which is capable of back-to-back installation. Cartridge shall feature integrated check valves to eliminate cross flow. Capable of meeting ASSE1016 @1.3gpm. Cartridge shall also feature hot limit safety stop. Fitting shall be: American Standard - Trim Kit Model # TU06450\_WDXH.\_\_\_\_ and Flash Valve Body Model # RU10\_\_\_\_.

## Pressure Balance Bath/Shower Trim with Double Ceramic Pressure Balance Cartridge

### CODES AND STANDARDS

These products meet or exceed the following codes and standards:

- ASSE 1016
- ASME A112.18.1
- CSA B125.1
- ANSI A117.1



TRIM KITS *	Product Number	Description	Finish Options	
			Polished Chrome	PVD Brushed Nickel
			002	295
TU064502WDXH	Bath/Shower Trim Kit with RED/BLUE indicator ring. Metal lever handle. LESS showerhead. LESS valve body.			
TU064501WDXH	Shower Only Trim Kit with RED/BLUE indicator ring. Metal lever handle. LESS showerhead. LESS valve body.			

**\* TRIM & ROUGH MUST BE ORDERED SEPARATELY.**

Flash™ ROUGH VALVE BODIES	Product Description	Without Screwdriver Stops	With Screwdriver Stops
	Rough Valve Body. Universal* inlets/outlets.	RU101	RU101SS
	Rough Valve Body. Stub-out inlets/outlets for Press-Fit Fittings.	RU102	RU102SS
	Rough Valve Body. PEX inlets/Universal outlets for Crimp Ring PEX system (ASTM F1807).	RU107	RU107SS
	Rough Valve Body. PEX Elbow inlets/Universal outlets for Crimp Ring PEX system (ASTM F1807).	RU107E	RU107ESS
	Rough Valve Body. PEX inlets/Universal outlets for Cold Expansion PEX system (ASTM F1960).	RU108	RU108SS
	Rough Valve Body. PEX Elbow inlets/Universal outlets for Cold Expansion PEX system (ASTM F1960).	RU108E	RU108ESS
	Rough Valve Body. CPVC inlets/Universal outlets.	RU109	RU109SS

OPTIONAL ACCESSORY	Product Number	Product Description
	M954805-0070A	Deep Rough-In Kit

Meets the American Disabilities Act Guidelines and **ANSI A117.1** Requirements for the physically challenged.

PART OF **LIXIL**