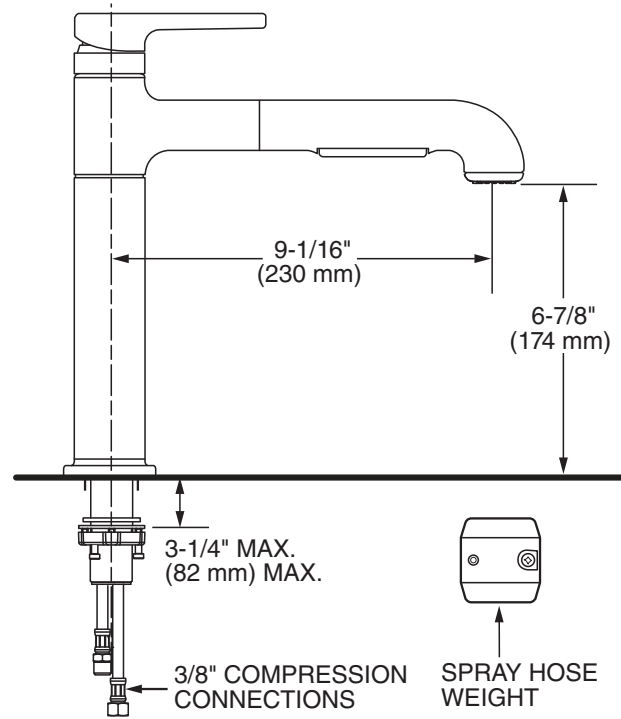
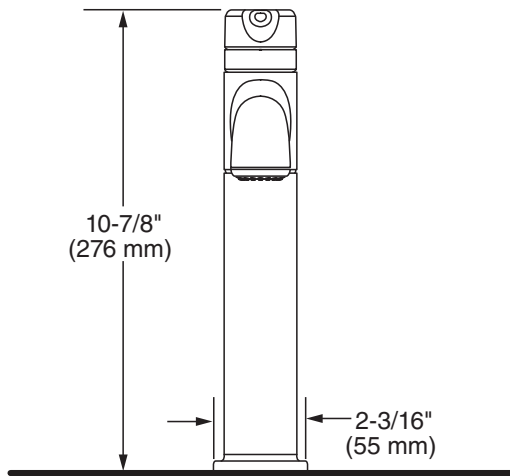


MODEL NUMBER:

- ❑ **4803100 Pull-Out Dual-Spray Kitchen Faucet**
Stainless Steel, Chrome, & Matte Black Finish.



GENERAL DESCRIPTION:

Thoughtful design makes all the difference in the presence and performance of the Studio S Pull-Out Dual-Spray Kitchen Faucet from American Standard. Contemporary cylinder profile is the ideal height for smaller sink areas while providing ample clearance for filling pots with ease. The pull-out spray head features a toggle to switch from stream to powerful spray functions, making every task quick and easy. Studio S is engineered to ensure drip-free performance and add distinction to your kitchen design.

PRODUCT FEATURES:

- Dual-function spray head offers stream and forceful sprays for optimal rinsing
- Profile is designed to accommodate many kitchen configurations
- Wipe-clean, one-piece lever handle eliminates tiny crevices where build-up hides
- Swivel spout for added functionality and convenience rotates 120°
- Rubber spray nozzles wipe clean easily with your fingertip
- Drip-free performance with high quality ceramic disc valve
- Durable brass and metal construction
- Pre-installed braided nylon supply lines
- Limited lifetime warranty
- 1.5 gpm/5.7 L/min maximum flow rate

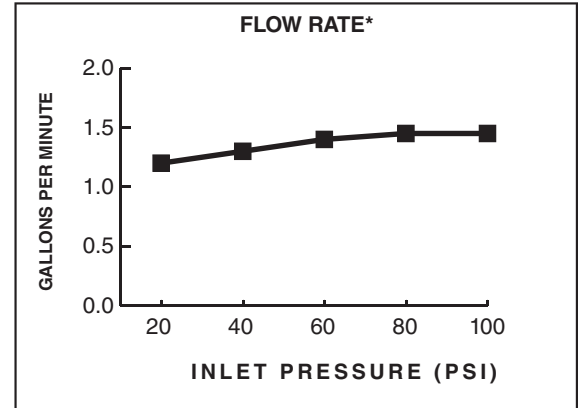
SUGGESTED SPECIFICATION

Single control kitchen pull-out faucet shall feature a Dual-function spray head and metal lever handle. Shall also feature 28 mm washerless ceramic disc valve cartridge and 38" flexible supply hoses. Faucet shall be American Standard Model # 4803100._____.

CODES AND STANDARDS

These products meet or exceed the following codes and standards:

- ANSI A117.1**
- ASME A112.18.1**
- CSA B125.1**
- NSF 61/Section 9**
- NSF 372**

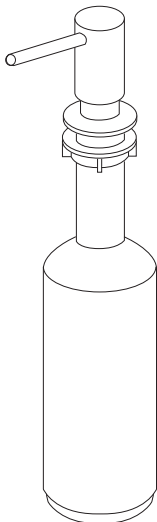


Product Number	Description	Finish Options		
		Polished Chrome	Stainless Steel	Matte Black
		002	075	243
4803100	Single control kitchen pull-out faucet shall feature a Dual-function spray head and metal lever handle. Featuring technology. Soap dispenser and deckplate not included.			

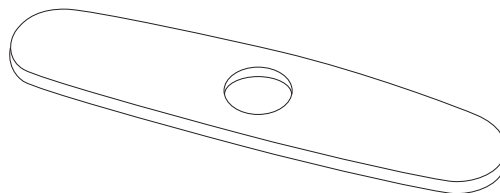
Meets CSA B651 Barrier Free code. Check local codes.

Meets the American Disabilities Act Guidelines and **ANSI A117.1** Requirements for the physically challenged.

Soap Dispenser & Deckplate (Not Included)



4503120



1660152